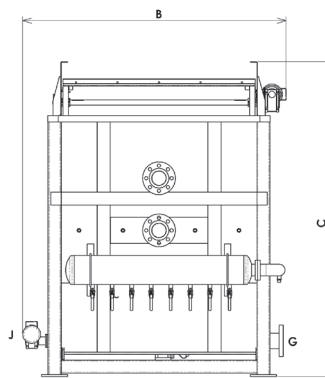
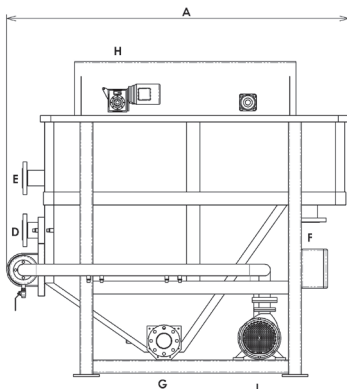


DAFFPBC



Model	Hydraulic Capacity (gpm)	Projected Surface (Ft ²)	Free Surface (Ft ²)	Length A (in)	Length A (ft)	Width B (in)	Width B (ft)	Height C (in)	Height C (ft)	AMP Draw (480V, 3 ph)	Weight Empty (lb)	Weight Full (lb)
FPBC 5 (*)	22	64.8	10.8	90	7.5	43	3.6	82	6.8	7	992	3308
FPBC 10 (*)	44	86.4	16.2	90	7.5	55	4.6	82	6.8	7	1213	5954
FPBC 15 (*)	66	129.6	21.6	90	7.5	62	5.2	82	6.8	12	1654	8159
FPBC 20	88	172.8	24.8	113	9.4	55	4.6	109	9.1	12	1874	12128
FPBC 35	154	270	32.4	113	9.4	78	6.5	109	9.1	16	2536	15435
FPBC 50	220	399.6	37.8	137	11.4	78	6.5	109	9.1	16	3308	19845
FPBC 75	330	680.4	43.2	172	14.3	78	6.5	156	13.0	28	4410	28665
FPBC 100	440	810	54	187	15.6	78	6.5	156	13.0	32	4631	33075
FPBC 125	550	1037	64.8	187	15.6	94	7.8	156	13.0	32	5733	37485
FPBC 150	660	1242	86.4	187	15.6	117	9.8	156	13.0	38	7056	41675
FPBC 175	770	1447	97.2	226	18.9	133	11.1	156	13.0	53	8159	48510
FPBC 200	880	1728	118.8	246	20.5	133	11.1	156	13.0	53	9482	55125
FPBC 250	1100	2160	141.5	257	21.5	133	11.1	156	13.0	53	11466	59535

(*) without bottom screw



CLEARWATER INDUSTRIES, INC.

9446 N. 107th Street · Milwaukee, WI 53224
 Phone: 414-365-1200 · Fax: 414-365-0200
 www.clearwaterind.com

Technology provided by:

SIGMA DAF Clarifiers